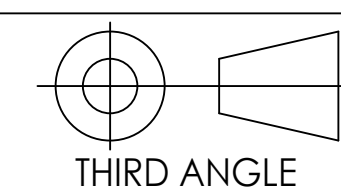


DRAWN: P.C.	MATERIAL: -	 THIRD ANGLE	REMARKS:		
DATE: 2-JAN-2012	DENSITY: - (GRAM/CC)		FORMAT: A3	<b>WILMS NV</b>	
SCALE: 1:1.75	VOLUME: - (CC)	TOLERANCES UNLESS OTHERWISE STATED: -			
UNITS: MM - DEGREE	MASS: - (GRAM)	NAME: PRODUCTSAMENSTELLING ZIPX SKY - KOKER - PROFIEL 6193 + 6194	DRAWING NUMBER: 1107 - 001		