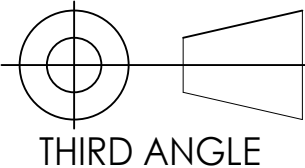


| | | | | | |
|-----------------------|---|--|-------------------------------|-----------------|--|
| DRAWN: P.C. | MATERIAL: - |  THIRD ANGLE | REMARKS: | | |
| DATE: 27-OKT-10 | DENSITY: - (GRAM/CC) | | FORMAT: A3 | WILMS NV | |
| SCALE: 1:1.5 | VOLUME: - (CC) | TOLERANCES UNLESS OTHERWISE STATED: - | DRAWING NUMBER: 1084 - 001 | | |
| UNITS: MM - DEGREE | MASS: - (GRAM) | | | | |
| | TREATMENT: - | | | | |
| | NAME: PRODUCTSAMENSTELLING KAST 120MM - VOORBOUW - PROFIEL 6193 + 6194 + 6195 + 5728 | | | | |