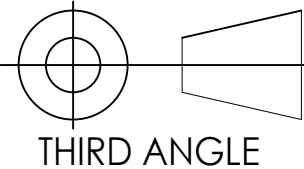


DRAWN: P.C.	MATERIAL: -	 THIRD ANGLE	REMARKS:	
DATE: 29-OKT-10	DENSITY: - (GRAM/CC)		FORMAT: A3	<b>WILMS NV</b>
SCALE: 1:1	VOLUME: - (CC)	TOLERANCES UNLESS OTHERWISE STATED: -	DRAWING NUMBER: 1088 - 001	
UNITS: MM - DEGREE	MASS: - (GRAM)	TREATMENT: -	NUMBER: -	
NAME: PRODUCTSAMENSTELLING - VOORBOUW - PROFIEL 6189 + 6190 + 5727 + 5728				