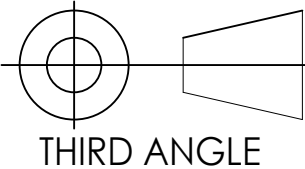


DRAWN: P.C.	MATERIAL: _	 THIRD ANGLE	REMARKS:	
DATE: 22-AUG-08	DENSITY: - (GRAM/CC)		FORMAT: A3	<b>WILMS NV</b>
SCALE: 1:1	VOLUME: - (CC)	TOLERANCES UNLESS OTHERWISE STATED: -	DRAWING NUMBER: 1027 - 001	
UNITS: MM - DEGREE	MASS: - (GRAM)		NUMBER: -	
	TREATMENT: -			
	NAME: PRODUCTSAMENSTELLING - VOORBOUW - PROFIEL 5618 + 5843 + 5727 + 5728			